



Strainers

Itron strainers are available from sizes DN50 to DN250.

The robust and compact design allows easy installation and secured operation over time even in the toughest environments. The cast iron body is protected by epoxy painting and the filtering element is made of stainless steel.

FEATURES AND BENEFITS

- » Access to filtering element from the top for easy cleaning on the field
- » Large filtration area combined with high load storage capacity

Uses

Installation of filters is strongly recommended for application where the water is temporarily or permanently loaded with particles, in order to protect the meter investment.

Strainers are installed upstream of the meters to prevent failure of the measuring elements and thus secure operation.

Maintenance

The strainer design allows access to the filtering element from the top, significantly simplifying cleaning.

The strainer shape provides a large filtration area and high load capacity of storage for long lasting operation without clogging.

The need for frequent cleaning is reduced and therefore overall network pressure conditions are secured.

Installation requirements

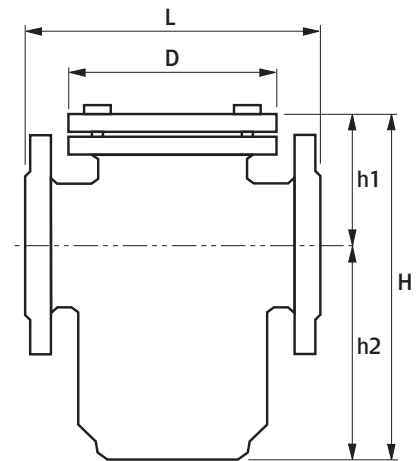
Strainers should be installed following the flow direction indicated on the body.



Strainer DN150

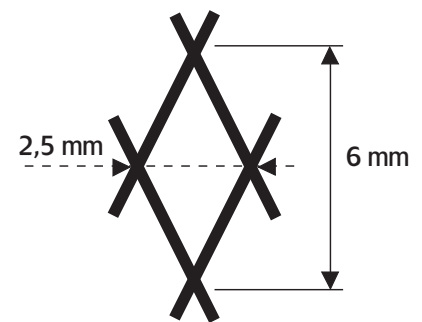
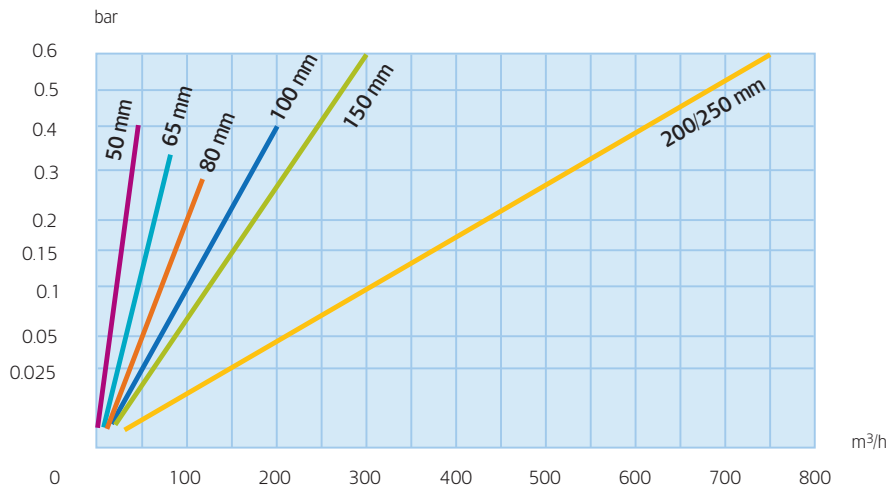
TECHNICAL SPECIFICATIONS

Nominal diameter (DN)	mm	50	65	80	100	150	200	250
	Inches	2"	2½"	3"	4"	6"	8"	10"
End connection (Flange)		PN 10/16				PN 10 or 16		
Length (L)	mm	200	230	270	300	330	350	350
D	mm	130	160	190	220	250	272	272
H	mm	233	285	320	378	485	618	618
h1	mm	101	112	125	138	173	203	203
h2	mm	132	173	195	240	312	415	415
Weight	Kg	13	21	28	35	58	80	92
Maximum pressure	bar	20						
Filtering area strainer/diameter		10.5	10.8	10.5	10.3	10.9	5	5



Dimensions

HEAD LOSS



Mesh Size

VARIANTS

Hot water versions (130 °C) and special drilling are available upon request.



Our company is the world's leading provider of smart metering, data collection and utility software systems, with over 8,000 utilities worldwide relying on our technology to optimize the delivery and use of energy and water.

To realize your smarter energy and water future, start here: www.itron.com

For more information, contact your local sales representative or agency:

ITRON WATER METERING

11, boulevard Pasteur
67500 Haguenau
France

Phone: +33 3 88 90 63 00

Fax: +33 3 88 73 23 20