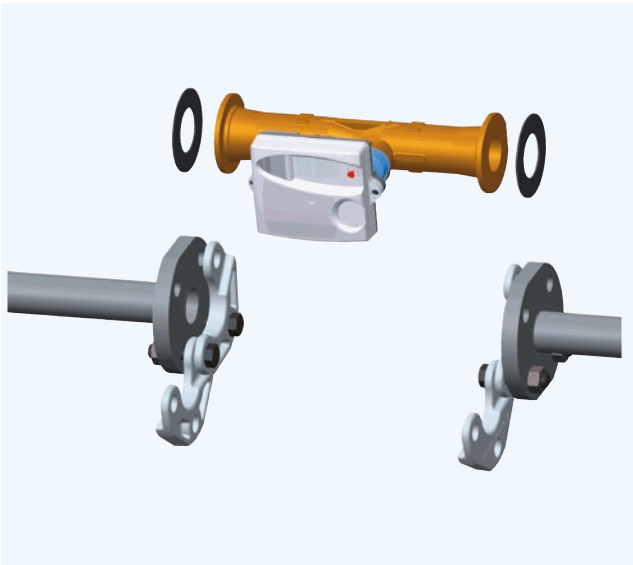


CF / US Echo II

Itron's innovative mobile flanges

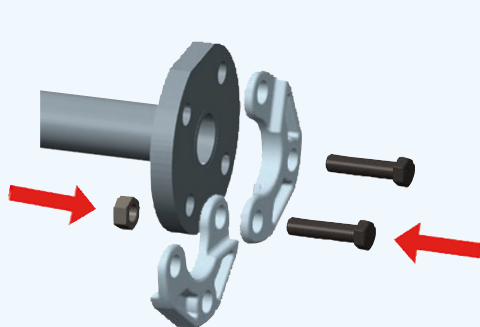
Now also available for heat meters

NEW!
FROM Q4-2014

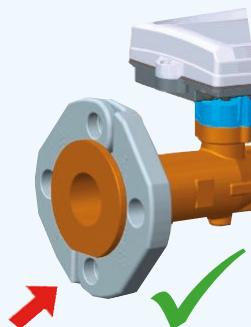


- » Installation in 3 steps
- » Fast, secure, simple
- » Moving flanges
- » All Flange meters DN25-50

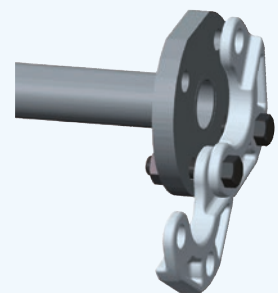
1 IT'S SO SIMPLE



» Hold the 2 flange segments together and place two bolts in the two lower holes, fix the nuts by hand.

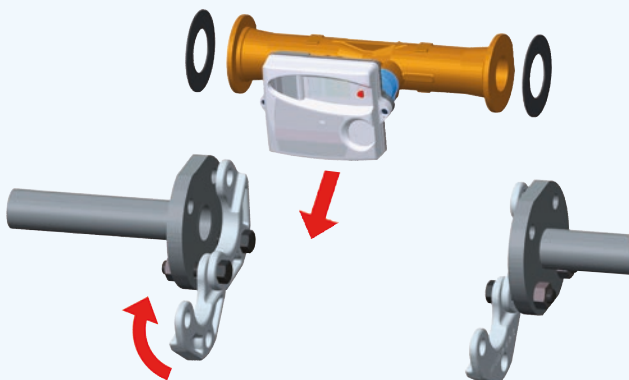


» The flat side of flange should show be oriented to the counter flange.



» Leave the flanges open.

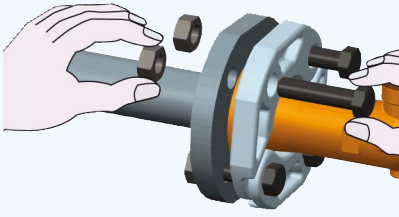
2



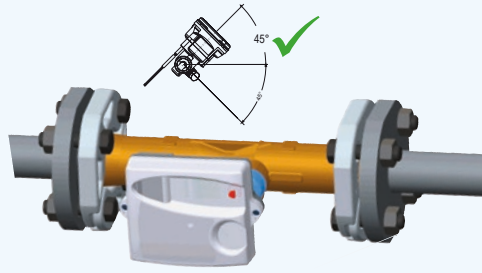
- » Place the meter into the open flanges.
- » Close the flanges.

Attention:
Don't forget the gaskets!

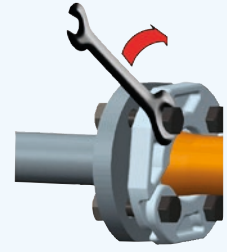
3



» Fix the remaining bolts.



» Align the flow meter in the correct position (electronics $\pm 45^\circ$ from horizontal position).



» Fix the screws.
» READY!

THE NEW CF-/US-ECHO II IN NEW A CLEAR PACKAGING

» The clear packaging for CF-/ and US-Echo II gives you a quick overview and a simple assignment for the installation



Itron

Create a more resourceful world. Visit itron.com to learn more.

ALLMESS GMBH

Am Voßberg 11
23758 Oldenburg i.H.
Deutschland

Tel: 0 43 61/62 5-0
Fax: 0 43 61/62 5-250

www.itron.com/de